



# ENERG



TCL

50P616X1



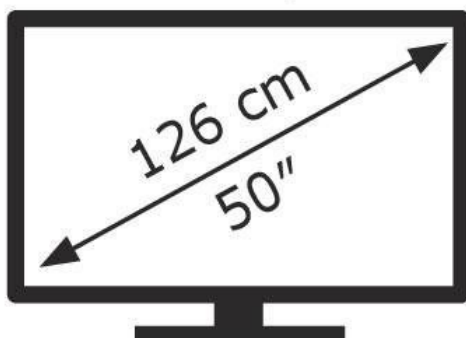
**51** kWh/1000h

ABCDEF**G**



**77** kWh/1000h

3840 px



2160 px